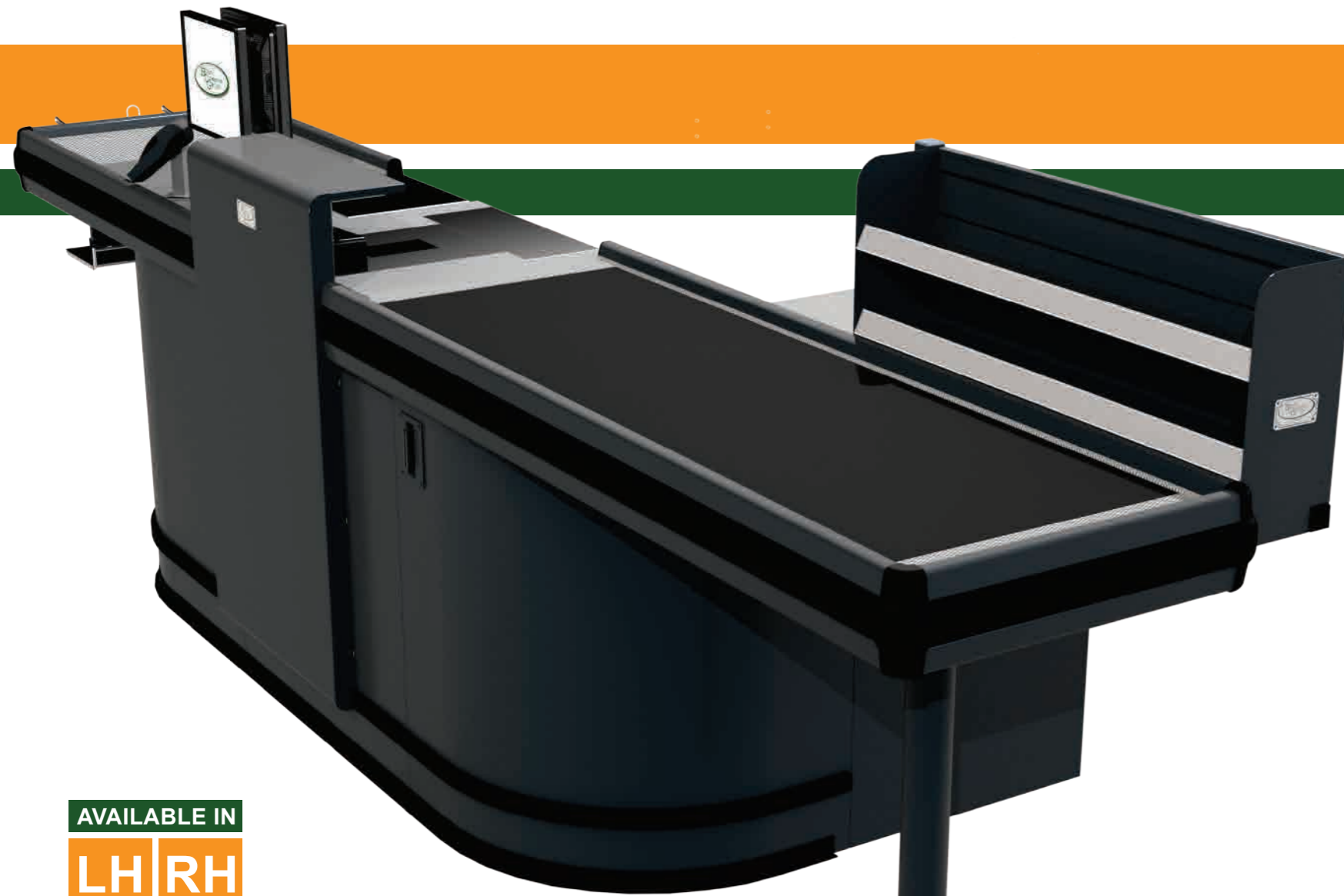


# SINGLE LANE 3800

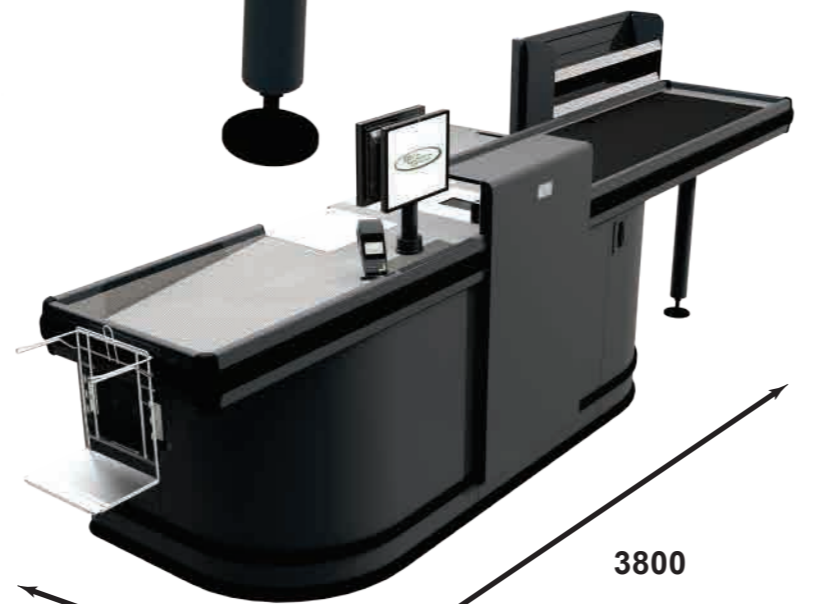
CHECMETACONVSING3800LH / CHECMETACONVSING3800RH



AVAILABLE IN

**LH** **RH**  
LEFT HAND RIGHT HAND

CONFIGURATION



The Brian Cummins Group **SINGLE LANE 3100 CAROUSEL CHECKOUT** is designed to set your store out from the competition, the checkout counter comes standard with industry leading features such as:



**Versatility:**

Ergonomic Adjustable Bag packing, ready for environmentally friendly bags  
Adjustable Confectionary Shelving, Basket Shelf, and storage draws



**Durability:**

Stainless Steel Top, Stainless Steel bag packing area, Smooth powder coat finish



**A Cost Effective Solution:**

All these features result in a fast transaction of your clients improving not only store looks but also store efficiency



**Conveyor:**

Conveyor featuring electronic eye, self-feed operation with automatic cut out and re-activation.



**Measurements:**

Length: 3100mm Width: 2400mm Height: 960mm  
Can be modify to suit your requirements

**OPTIONS:**

Scanner Scale cut out  
Ready for LED fittings

**NOTES:**

Sizes / Colours are indicative and should be confirmed prior to placing order.



**Brian Cummins Group Pty Ltd**  
24 Stennett Road, Ingleburn, NSW 2565  
ABN 91 003 692 500 | Phone 1300 66 22 14